



Polycom® HDX 7000 Series

Features and Benefits

Audio

Polycom 22 kHz StereoSurround™	<ul style="list-style-type: none"> • 2 channels of 22 kHz crystal clear audio • Superb clarity to hear the subtleties of every word • Easily decipher multiple, simultaneous conversations • Distinguish which side of the room people are talking from, just like in a real meeting
Audio Error Concealment	<ul style="list-style-type: none"> • Eliminates audio drop-outs on noisy networks • Smooth, consistent verbal communications without interruptions • Corrects audio from any system seamlessly • Activates automatically, only when needed
Multiple audio inputs	<ul style="list-style-type: none"> • Audio inputs for Polycom digital microphone arrays (max. 2), an aux input, PC input and VCR/DVD input.

Video

True High Definition Video	<ul style="list-style-type: none"> • Natural high definition during video call and superb video at any data rate • Reduce the technology barriers by seeing people and content in HD resolution • 720p (1- 2 Mbps) • 4CIF/4SIF (256 – 1 Mbps)
Polycom EagleEye HD Camera™	<ul style="list-style-type: none"> • 16:9 aspect ratio • 72 degree field of view • 270+ degree panning radius
Lost Packet Recover (LPR)	<ul style="list-style-type: none"> • Communications remain intact even on disruptive networks • Smooth, continuous video without interruptions • Maintain active face-to-face contact • Accomplish meeting objectives without worrying about the video integrity of public or private networks • Activates automatically and only when needed
Dual Monitor Emulation	<ul style="list-style-type: none"> • Most efficient use of a single display • View near and far video windows at the same time • Alternate layout views supporting near end, far end and content in native aspect ratio and resolutions
DVD/VCR Connection	<ul style="list-style-type: none"> • Easily play DVD/VCR movies/images during a video conference • Adds another dimension to the conference, making it like “being there” • By setting it to “content” input see both the speaker and the DVD/VCR image
Additional HD Capable Video Source	<ul style="list-style-type: none"> • DVI-I input allows for additional HD video input from a PC or other optional device such as a document camera

Content Sharing

People+Content™, H.239	<ul style="list-style-type: none">• People and Content both shared in High Definition• Polycom People+Contentor standards based H.239 ensures fully interoperability• Dual images allows far end to see presentation and speaker at the same time• One touch sharing directly from keypad• People+Content Receive (included)• People+Content Send (optional)
Adjustable Bandwidth for Content	<ul style="list-style-type: none">• Flexibility to choose the amount of bandwidth to dedicate to Content or People based upon what is being shown• Options include 90% Content/ 10% People; 50% Content/ 50% People; 10% Content/ 90% People• System will automatically adjust bandwidth allocation up to the percent selected when sharing content• Very powerful for users who share a wide range of content during a video call• User adjustable setting can be accessed both during a call and outside of a call

User Interface

User Selectable Camera Icons	<ul style="list-style-type: none">• Use icons that represent your industry• Intuitive icons match the input device• Custom name gives the icon clear meaning• Selection – 5 libraries to choose from• Decreases learning curve
------------------------------	--

Platform Versatility

Internal Multipoint Software	<ul style="list-style-type: none">• Optional upgrade easily done with a software key• Conduct meetings beyond just point-to-point• Increase productivity by including key people on the call• Adding sites during a call can lead to quick decision making• Supports up to 4 video sites in a single conference
Secure FTP, Telnet and Web	<ul style="list-style-type: none">• Polycom video systems are the most secure video conferencing solutions in the industry• All access to the HDX system can be secured including accessing the HDX system via web-browser as well as secure telnet and ftp access via SSH for secure system administration and application connectivity
Advanced Encryption Standard (AES)	<ul style="list-style-type: none">• Communications are confidential and secure• Authentication by the National Institutes of Standards means it's credible• Built-in, no extra hardware required
H.460 NAT/Firewall Traversal	<ul style="list-style-type: none">• Standards compliance for traversing NATs and Firewalls• Video Border Proxy (VBP) is only needed at the central location and all VSX systems with H.460 can communicate through the single V2IU• Uses H.460.18 for signaling traversal and call establishment and H.460.19 for media traversal
IP (H.323, SIP), ISDN or Serial Connectivity	<ul style="list-style-type: none">• IP is standard and you choose the H.320 interface best for your application• Choose the right option for your specific network connection• Supports UPnP and NAT for automatic setup of conferences conducted through firewalls• Wide range of IP QoS services to insure call quality and integrity• Optional H.320 interfaces include Quad BRI, PRI, or serial (V.35, RS-449 and RS-530)

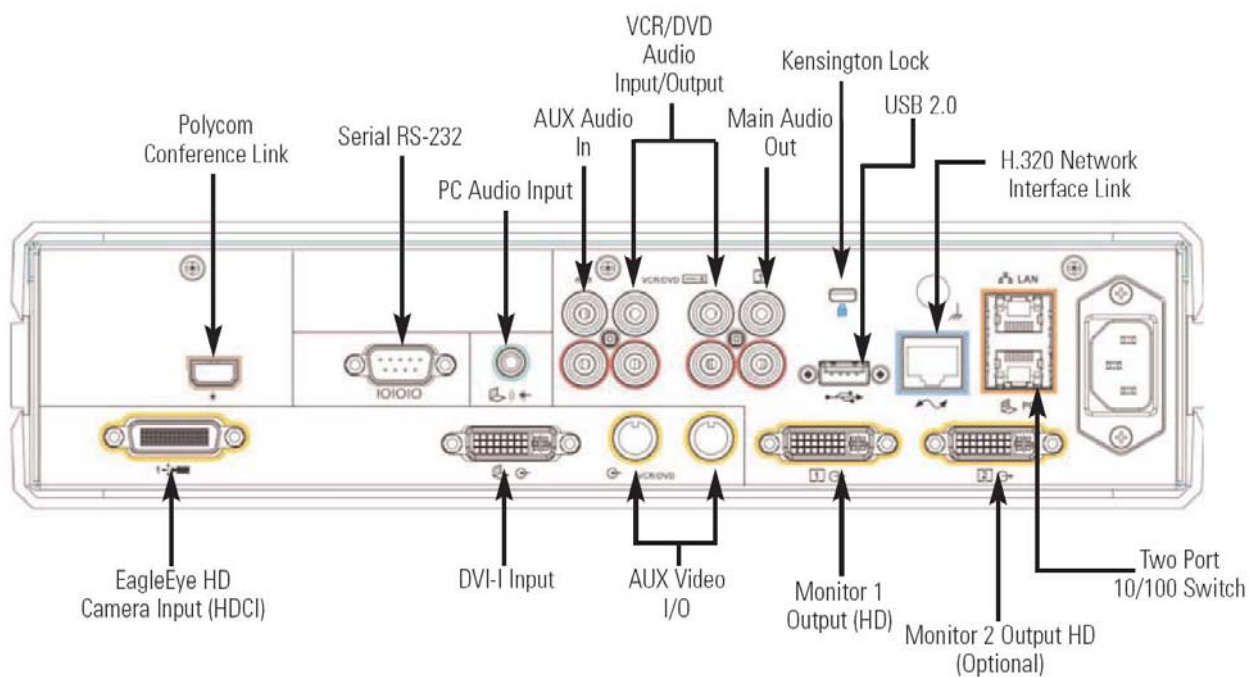
Interoperability

Part of Polycom's Unified Collaborative Communications	<ul style="list-style-type: none">• RMX Click & View™ offers a variety of layout templates for multipoint call right from the system's handheld remote• Play, stop, record, rewind and fast forward video recordings with the RSS 2000 using the HDX remote control• Expand the audience over audio and video with an RMX™ bridge• Extended conferencing with Polycom PathNavigator™• Schedule, invite participants and manage conferences easily with Polycom Conference Suite• Video recording, streaming and archiving with the Polycom RSS 2000™.• Use the Polycom SE200 or CMA for management, scheduling and gatekeeping
Standards-based	<ul style="list-style-type: none">• Solid, reliable platform• Qualified by independent test labs• Interoperates with other standards-based systems in the industry• Easy to install even in a multi-vendor environment
Basic Mode	<ul style="list-style-type: none">• Set your system to basic mode for interoperability with legacy video conferencing systems using H.261 and G.711, Accessible via web, FTP or on-screen UI for easy access by the network administrator• Can be turned on and off as needed

Technical Documentation

Award Winning Documentation	<ul style="list-style-type: none">• Administrators Guide, Getting Started (User's) Guide, Set up guide and Quick Tips available in most supported languages• Searchable PDFs with colorful illustrations available at www.polycom.com/vidiodocumentation
Setup Sheets	<ul style="list-style-type: none">• Easy-to-follow graphical instructions for setting up the system and peripherals• Illustrations show both minimal and optional system configurations• Shipped with the system for easy access
Administrator's Guide	<ul style="list-style-type: none">• Comprehensive information for configuring system, including an explanation of each administrator setting• Descriptions of system features and capabilities• Back panel diagrams of all systems with explanations of each connector• Instructions for using the web interface
User Documents	<ul style="list-style-type: none">• Quick Tips one-page document provides quick and easy reference for video conferencing tasks• User's Guide covers everything you need to know about using the system in a video conference

HDX 7000 Series Back Panel



© 2008 Polycom, Inc. All rights reserved. Polycom and the Polycom logo are registered trademarks of Polycom, Inc. All noted Polycom trademarks are the property of Polycom, Inc. in the U.S. and various countries. All other trademarks are the property of their respective owners. All prices are US MSRP. Specifications and pricing subject to change without notice.